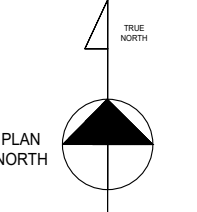
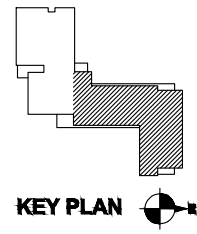
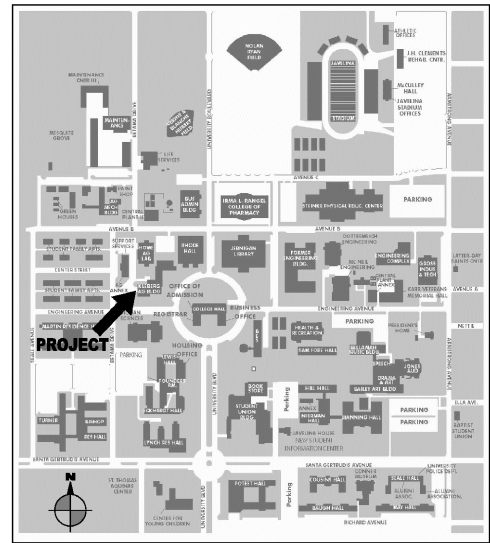


TEXAS A&M KINGSVILLE VICINITY MAP - (NTS)



PLAN VIEW
 SCALE: 1/16" = 1'-0"

01

FLOOR PLAN

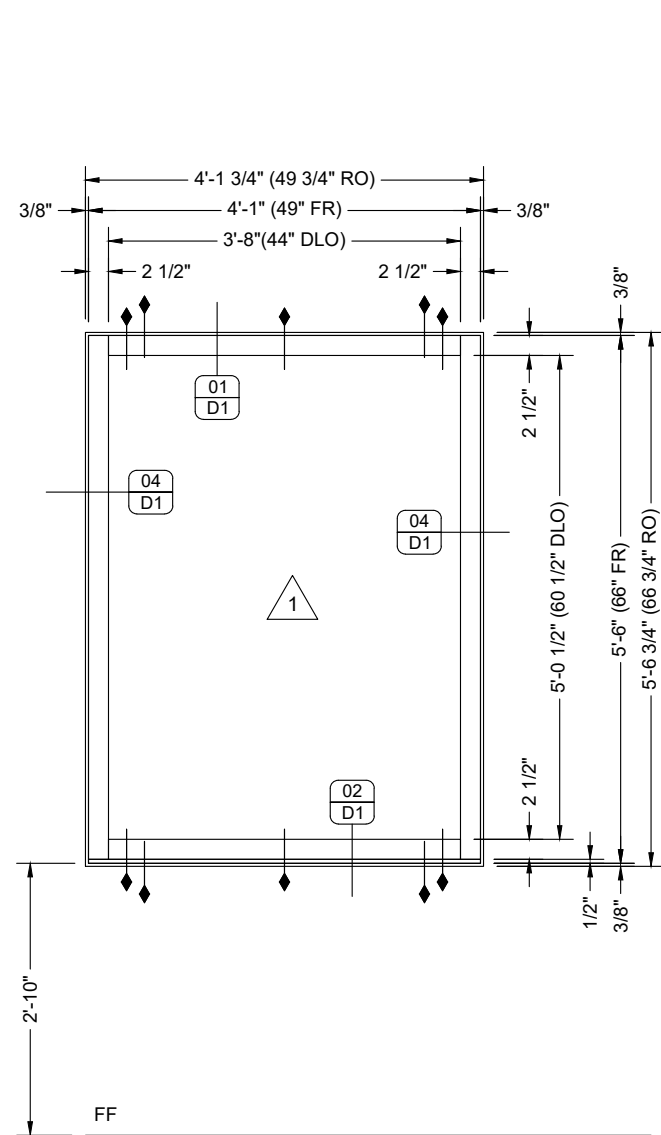
KAWNEER IR 501 ALUMINUM STOREFRONT

| DESCRIPTION | |
|-------------|-----------------|
| 1 | First Submittal |
| fp | DATE |
| 1 | 07/09/21 |
| SUB | BY |

EVINS GLASS SERVICE, INC
 101 N.P.I.D., CORPUS CHRISTI, TX 78406
 WORK (361) 884-3995 FAX (361) 884-4262

PROJECT
 TEXAS A&M KINGSVILLE
KLEBERG AG BUILDING RENOVATION
 ARCHITECT
 LNV & ARDURRA COMPANY
 (361) 884-1884
 PROJECT
 MALTBY BUILDERS, INC
 (361) 982-8826

| | |
|-------------|-------------|
| PROJECT NO. | EGS-2107-01 |
| DRAWN BY | fp |
| DATE | 07/09/21 |
| SCALE | NTS |
| DRAWING | FLOOR PLANS |
| SHEET | P1 |



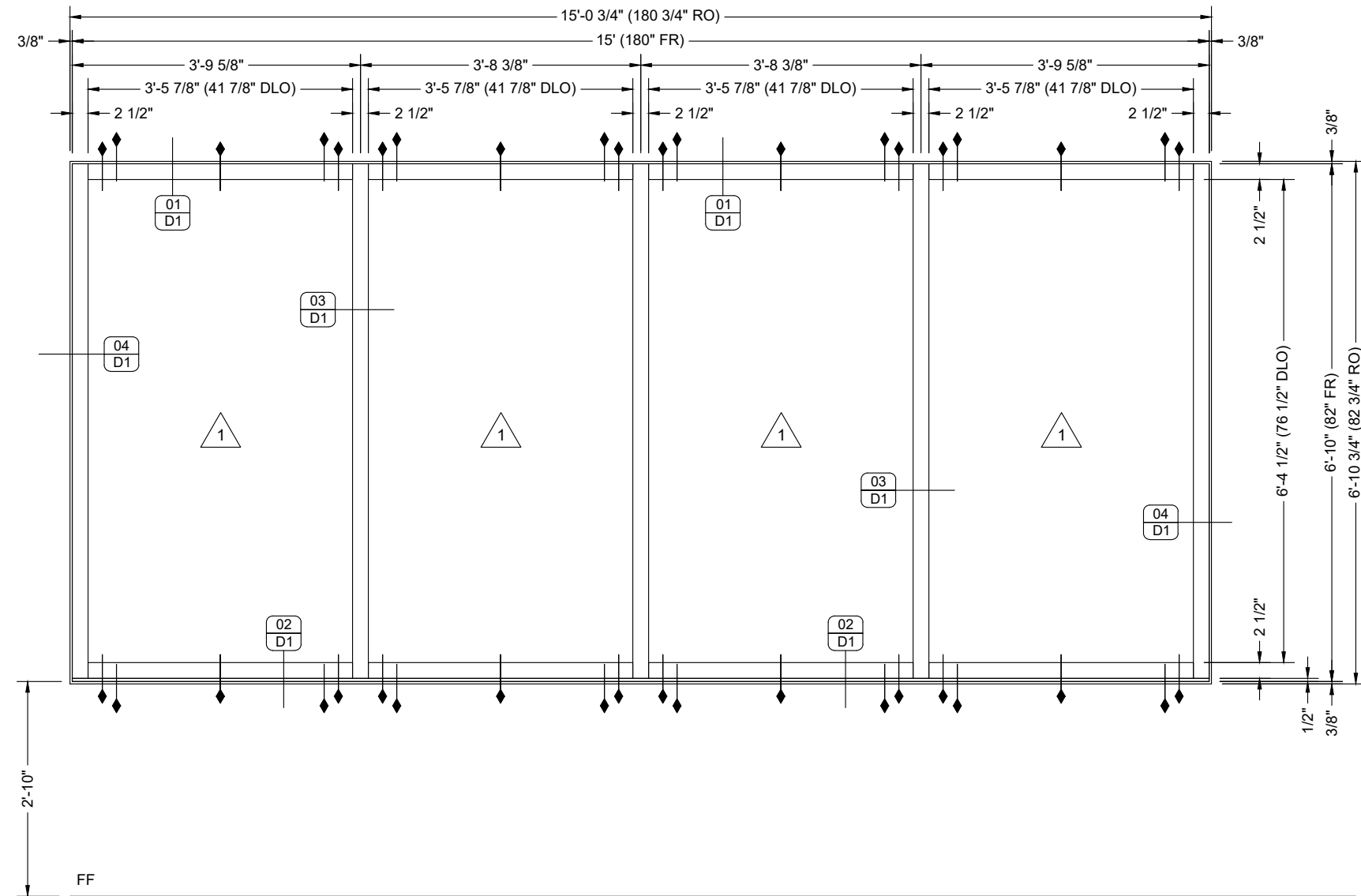
ELEVATION



EXT STOREFRONT

QUANTITY: 10
 SCALE: 1/2" = 1'-0"
 ARCH REF: A/A101

KAWNEER IR501 ALUMINUM STOREFRONT



ELEVATION



EXT STOREFRONT

QUANTITY: 6
 SCALE: 1/2" = 1'-0"
 ARCH REF: B/A101

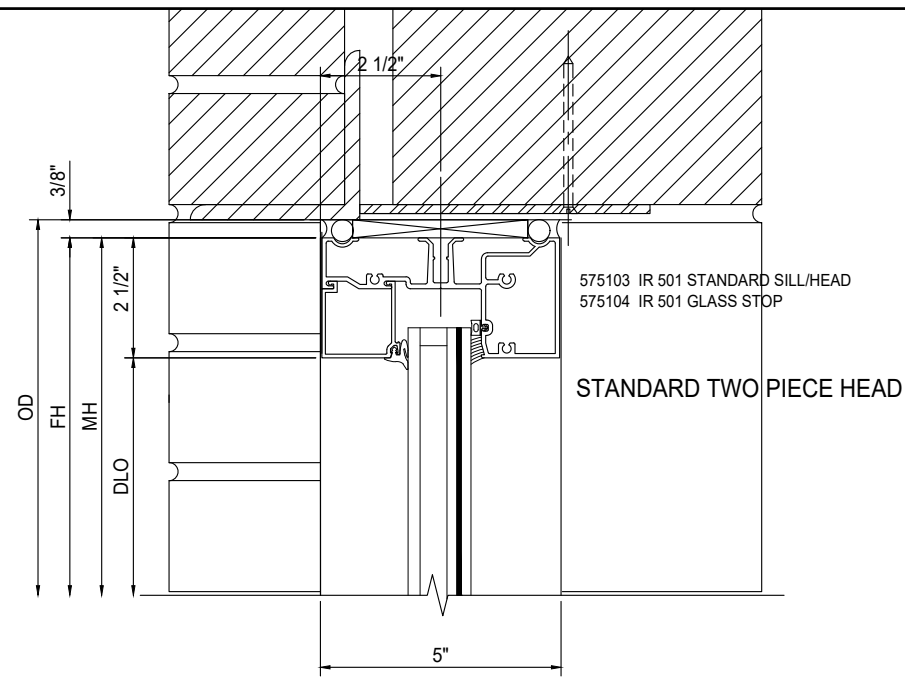
KAWNEER IR501 ALUMINUM STOREFRONT

| NO. | DATE | DESCRIPTION |
|-----|----------|-----------------|
| 1 | 07/09/21 | First Submittal |

EVINS GLASS SERVICE, INC
 101 N.P.I.D., CORPUS CHRISTI, TX 78406
 WORK (361) 884-3995 FAX (361) 884-4262

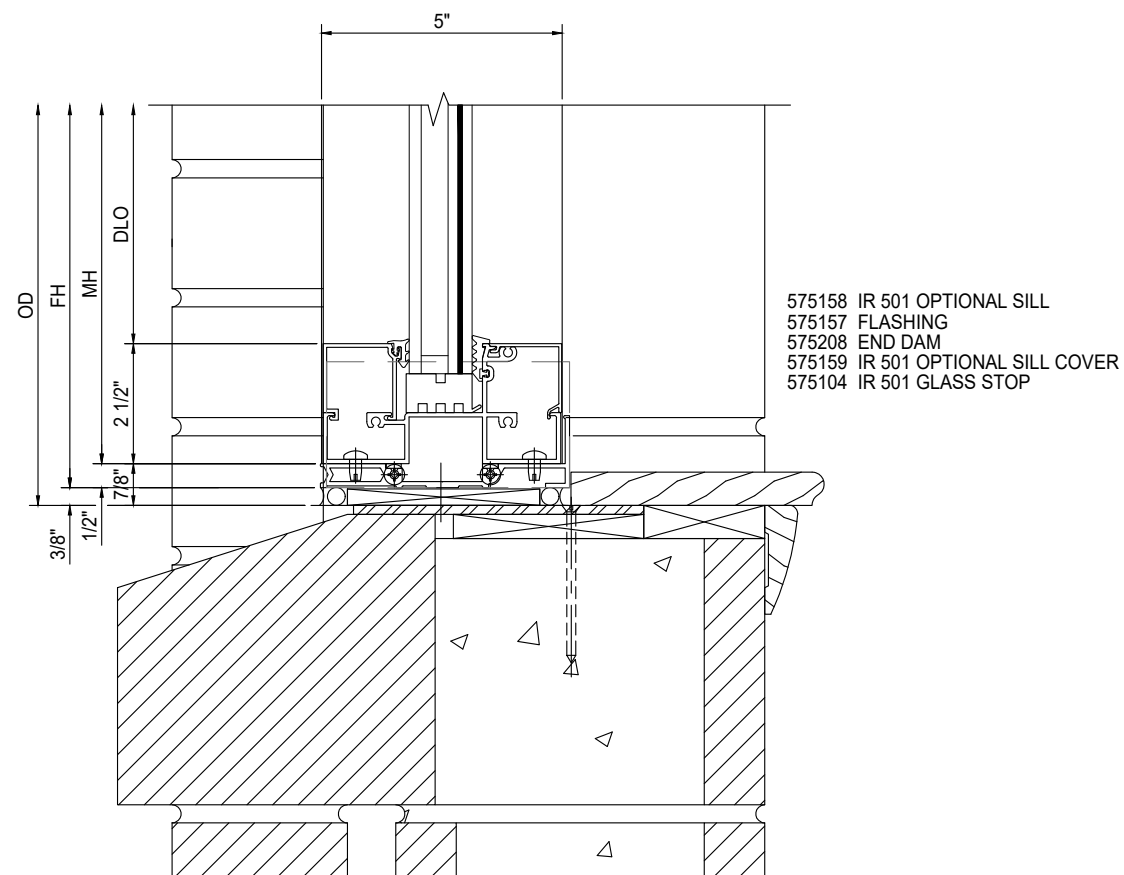
PROJECT: TEXAS A&M KINGSVILLE
 KLEBERG AG BUILDING RENOVATION
 ARCHITECT: LNY & ARDURRA COMPANY
 PROJECT: MALTBY BUILDERS, INC

| | |
|-------------|--------------|
| PROJECT NO. | EGS-2107-01 |
| DRAWN BY | fp |
| DATE | 07/09/21 |
| SCALE | 1/2" = 1'-0" |
| DRAWING | ELEVATIONS |
| SHEET | E1 |

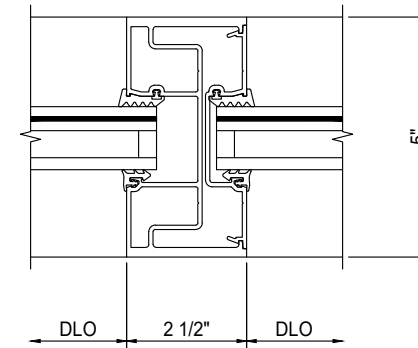


DETAIL **01** HEAD
 SCALE: 3" = 1'-0"
 ARCH REF: 1/A101
 KAWNEER IR 501 STOREFRONT

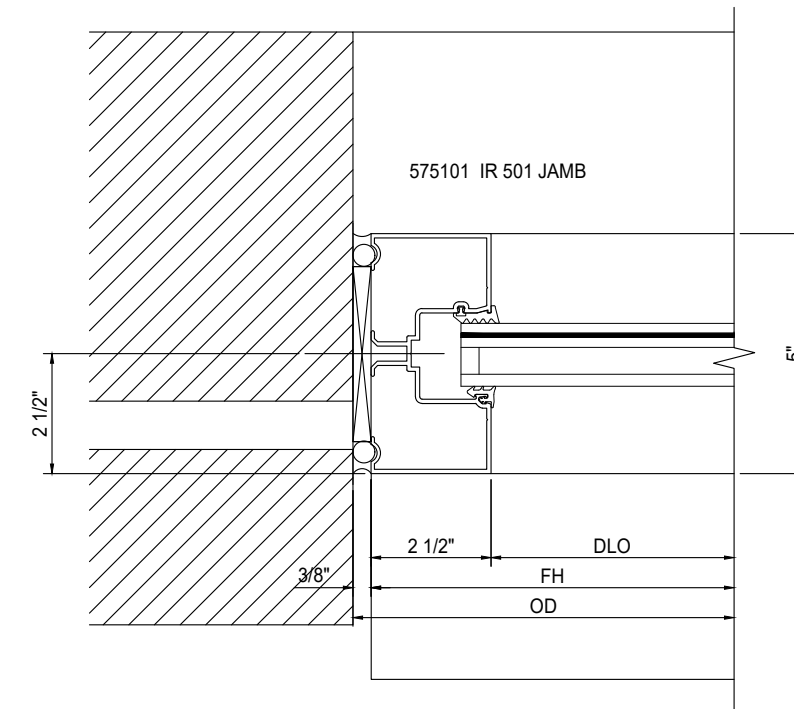
DETAIL **02** SILL
 SCALE: 3" = 1'-0"
 ARCH REF: 2/A101
 KAWNEER IR 501 STOREFRONT



575116 IR 501 HW VERTICAL MULLION
 575102 IR 501 POCKET FILLER



DETAIL **03** VERTICAL
 SCALE: 3" = 1'-0"
 ARCH REF: N/A
 KAWNEER IR 501 STOREFRONT



DETAIL **04** JAMB
 SCALE: 3" = 1'-0"
 ARCH REF: 3/A101
 KAWNEER IR 501 STOREFRONT

| NO. | DATE | BY | DESCRIPTION |
|-----|----------|----|-----------------|
| 1 | 07/09/21 | fp | First Submittal |

EVINS GLASS SERVICE, INC
 101 N.P.I.D., CORPUS CHRISTI, TX 78406
 WORK (361) 884-3995 FAX (361) 884-4262

PROJECT
 TEXAS A&M KINGSVILLE
KLEBERG AG BUILDING RENOVATION
 ARCHITECT
 LNV & ARDURRA COMPANY
 (361) 888-7884
 PROJECT
 MALTBY BUILDERS, INC
 (361) 982-8826

| | |
|-------------|-------------|
| PROJECT NO. | EGS-2107-01 |
| DRAWN BY | fp |
| DATE | 07/09/21 |
| SCALE | 3" = 1'-0" |
| DRAWING | DETAILS |
| SHEET | D1 |